

# NEW VV16 Series

**TOKYO KEIKI**  
www.tokyo-keiki.co.jp

## Variable Displacement Vane Pumps

### Energy Efficient Variable Pump for Low Pressure Machine Tools



#### Low Noise

Pulsation suppressing structure with low operational noise, suited for machine tool application

#### Energy Efficient + Long Life

Variable displacement structure and original side plate structures with low leak rates contribute to superior energy efficiency. Also incorporates specialized lead-free bearing with low-friction advantages not only for enhancing energy-efficiency and product life, but also for environmental friendly purposes too.

#### Strong Against Contamination

Original side plate made with special abrasion resistant alloy enhances anti-contamination features for long and stable operation.

#### Simplifies Hydraulic Circuits

Eliminates need for relief valves, simplifying the hydraulic circuit.

### MODEL CODE

VV16 - R - A - 10

1

2

3

4

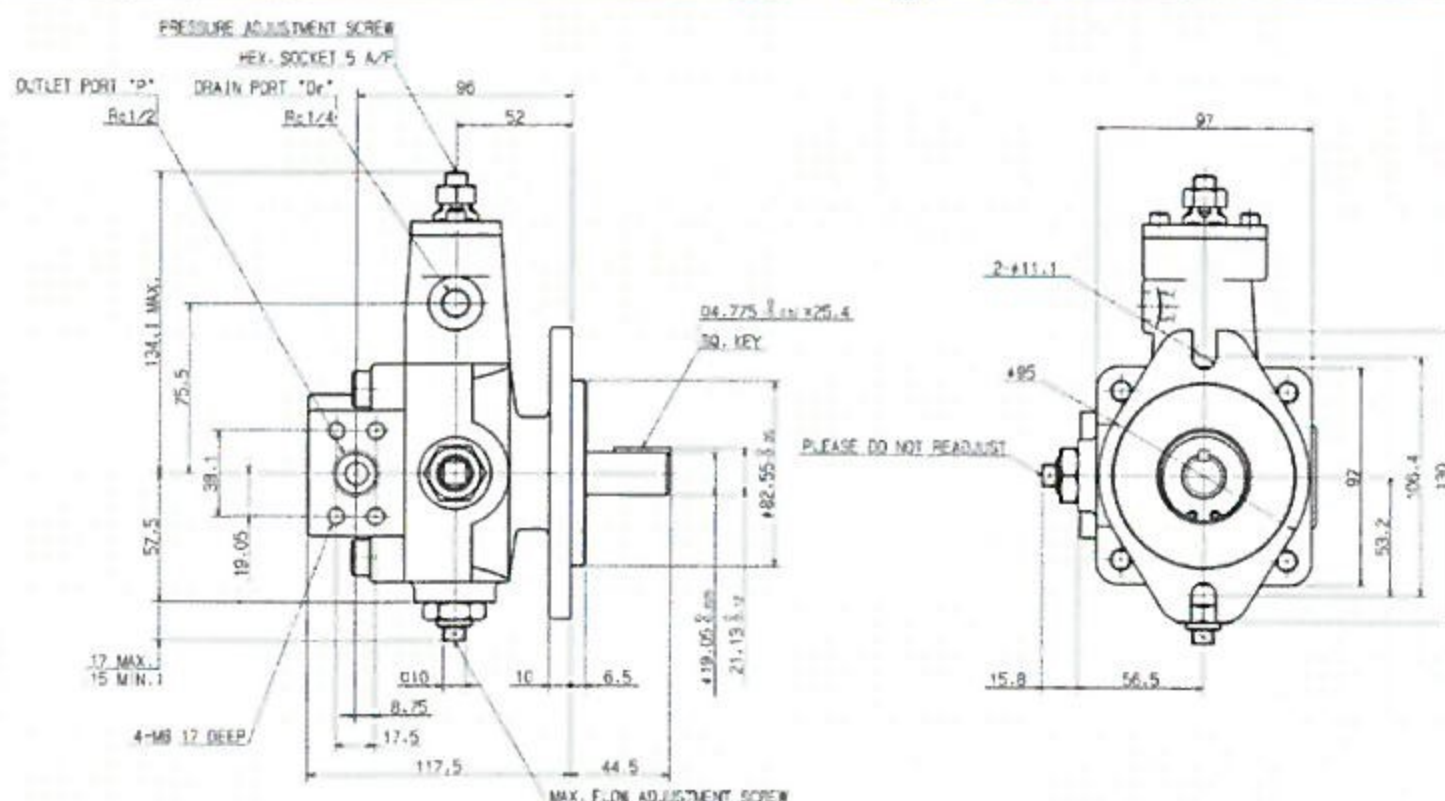
- 1 Variable Displacement Vane Pump  
Max. Displacement: 16 cm<sup>3</sup>/rev
- 2 Rotation (Viewed from Shaft End)  
R: Right Rotation (Clockwise)

- 3 Pressure Adjustment Range  
A: 1.5~3.5MPa BL: 3.5~6MPa B: 5~7MPa
- 4 Design Number

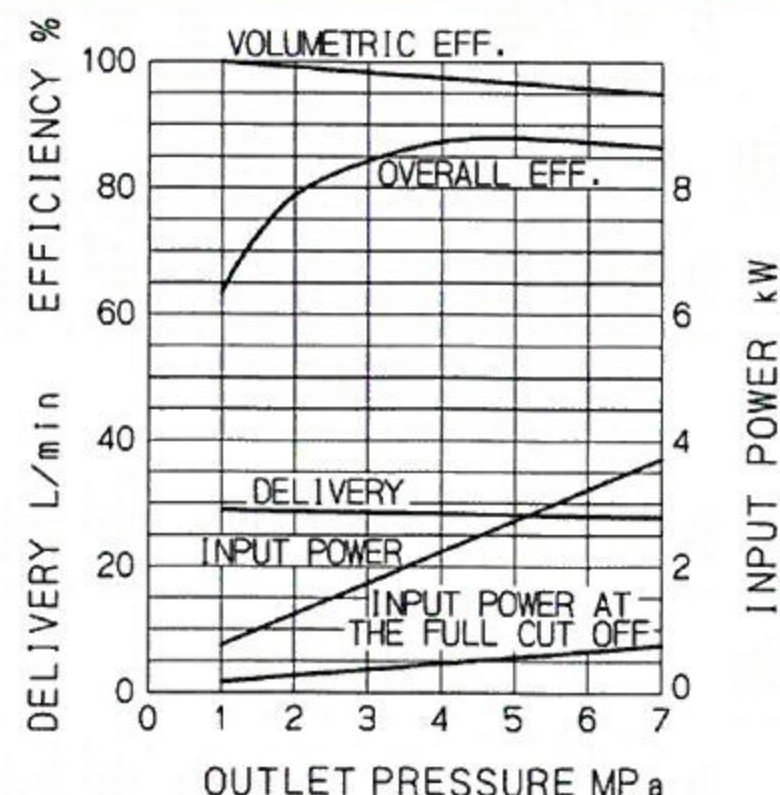
### TECHNICAL DATA

Model Code	Max. Displacement (cm <sup>3</sup> /rev)	Adjustable Pressure Range (MPa)	Max. Speed (min <sup>-1</sup> )	Dry Weight (kg)
VV16-R-A*-10	16	1.5 ~ 3.5	1800	Approx. 7
-BL-		3.5 ~ 6		
-B -		5 ~ 7		

### DIMENSIONS



### PERFORMANCE REFERENCE



- Input: 1800min<sup>-1</sup>
- Oil Viscosity: 20 mm<sup>2</sup>/s
- Inlet Press.: 0MPa

\* Specifications subject to change without prior notice

For detailed information, please contact Tokyo Keiki Inc. or your local distributor

**TOKYO KEIKI INC.** 2-16-46, Minami-Kamata, Ohta-Ku, Tokyo 144-8551 JAPAN  
Tel: +81 3 3737 8631 | Fax: +81 3 3737 8666 | t-bando@tokyo-keiki.co.jp